



SUN TEKNİK

RCV VALVE



PRODUCT CATALOGUE



www.sunteknikvana.com |
www.rcvvalve.com





SUN TEKNİK | RC V VALVE



QUALITY IS RESPECT...



CONTENTS

WHY CHOOSE US ?

We have been operating in the valve manufacturing and marketing sector in Konya since 2009. We provide trust with years of experience and professional teammates. We are constantly renewing our products, diversity and brand values. We care about the needs of our valued customers. As our brand says, we adopt the slogan of “QUALITY IS RESPECT” and we always take care to produce the best quality. Besides our country

We also have deliveries to every region of the world.

With our new brand “RCV VALVE”, we add new products to our production.

We will continue to add...



bilgi@sunteknikvana.com / info@rcvvalve.com



@SunTeknikMakine



+90 542 774 46 90



@rcvvalvesunteknik

FROM KONYA TO THE WORLD...

Underground Fire Hydrant 6

Overground Fire Hydrant 7

Buşakle Fire Boiler And
Telescopic Tij 8

D TYPE AND A TYPE
IRRIGATION HYDRANT 9

F5 Elastomer Valve 10

F4 Elastomer Valve 11

Disassembly Part 12

Swing Check Valve 13

Tilting Check Valve 14

Hand Control
Butterfly Valve 15

Lug Type Butterfly Valve 16

17 Wafer Type Butterfly Valve

18 Double Ball Suction Cup

19 Single Ball Suction Cup

19 Impactless Dynamic Suction Cup

20 Rising Shaft Gate Valve

21 Full Bore Flanged Ball Valve (Two Part)

22 Pressure Reducing Control Valve

23 Pressure Relief Control Valve

24 Y TYPE PRESURE CONTROL

25 Y Type Strainer

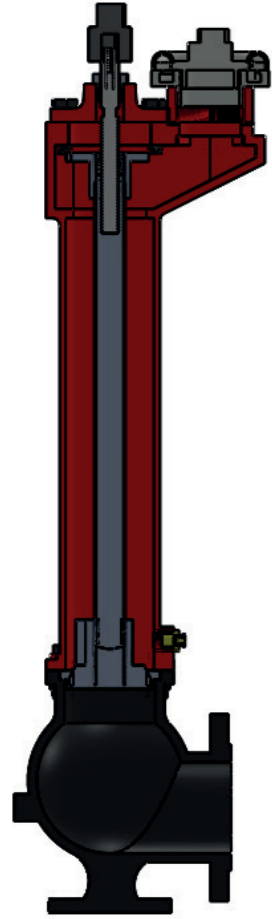
26 Standart and Special Production Flange

27 Crepe

UNDERGROUND FIRE HYDRANT

TS 2821-1

RATED DIAMETER/SIZE DN80 - DN100
RATED PRESSURE/ PRESSURE PN10-PN16-
PN40
CONNECTIONS DIN2501(FLANGE
TS ISO 7005-2



General Specifications;

In pressure water networks, it is the hydrant whose water intake openings are under the ground and the cover is above the ground. The shaft that controls the hydrant valve consists of the cast parts forming the body and the hose connection union (dovetail). The hydrant is switched on and off by controlling the shaft with the help of a key. Underground fire hydrants are used in factories, warehouses, industrial facilities, around buildings, in fire-sensitive forest lands and in residential areas.



PARÇA ADI (Part Name)	MALZEME (Material)	PARÇA ADI (Part Name)	MALZEME (Material)
N Parçası (AYAKLI DİRSEK)	GGG 50	Kapak/ Lid	GGG 50
Orta Boru/ Middle Pipe	GGG 50	Kurtağızı	GGG 50
Üst Gövde/ Under Body	GGG 50	Mil Başlığı / Shaft Title	GGG 50
Sürgü / Slide	GGG 50 + EPDM	Hidrant Buşaklesi	GGG 50
Hareket Mili / Movement Shaft	X20CRM13		

BUŞAKLE SİZE TABLE

D	D1	H	KG
340	390	275	22

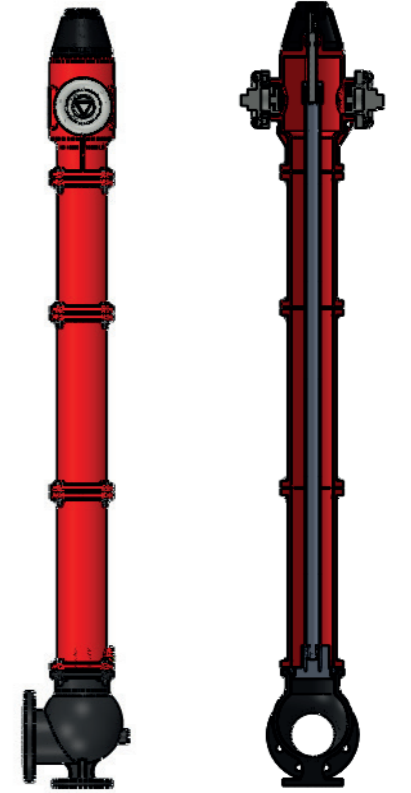
SİZE TABLE

ANMA ÇAPı (Nominal diameter)	H1	H2	H3	H4	H	KG
DN 80	270	400	340	50	1010	60
DN 100	320	260	580	50	1160	90

OVERGROUND FIRE HYDRANT

TS 2821-1

In pressure water networks, they are hydrants whose water intake is on the ground, which is used for the fire brigade to take water with a hose. The shaft controlling the hydrant valve consists of the spring loaded valve (check valve) that acts as an automatic discharge, the hose connection fittings and the casting parts that make up the body. When the shaft is turned clockwise with the help of the hydrant key, the hydrant is closed, and when the shaft is turned counterclockwise, the hydrant is opened. In order for the valve to discharge the water in the hydrant, the hydrant must be closed, especially in cold weather. The valve on the body prevents freezing by emptying the water in the hydrant when there is no water usage (hydrant is closed). The valve closes in the direction of the water flow (when the hydrant is opened). Thus, the sealing of the valve under pressure of the system is ensured.



ANMA ÇAPı (DN mm)	Boy (Size)
DN 80	125
DN 80	145
DN 80	175
DN 80	215
DN 100	125
DN 100	145
DN 100	175
DN 100	215



PARÇA ADI (Part Name)	MALZEME (Material)	PARÇA ADI (Part Name)	MALZEME (Material)
Alt Gövde / Underbody	GGG 50	Hareket Borusu / Drive Pipe	Galvanizli
Sürgü Ayacağı / Slide Foot	GGG 50	Mil Kızağı / Spindle Slide	MS58
Sürgü Contası / Slide Gasket	EPDM	Üst Gövde / Under Body	GGG 50
Sürgü Gövdesi / Slide Body	GSG 25	Hareket Mili/ Movement Shaft	X20 CRM13
Sızdırmazlık Yatağı / Sealing Bearing	Ms 58	Üst Baskı / Overprint	Ms 58
Tahliye Sübabı / Drain Register	Ms 58	Hidrant Volanı / Hydrant Volan	GGG 50
Alt Boru / Lower Pipe	GGG 50	N Parçası (Ayaklı Dirsek)/ N Part (Elbow Foot)	GGG 50
Üst Boru / Upper Pipe	GGG 50		

BUŞAKLE BOILER AND TELESCOPIC TIJ

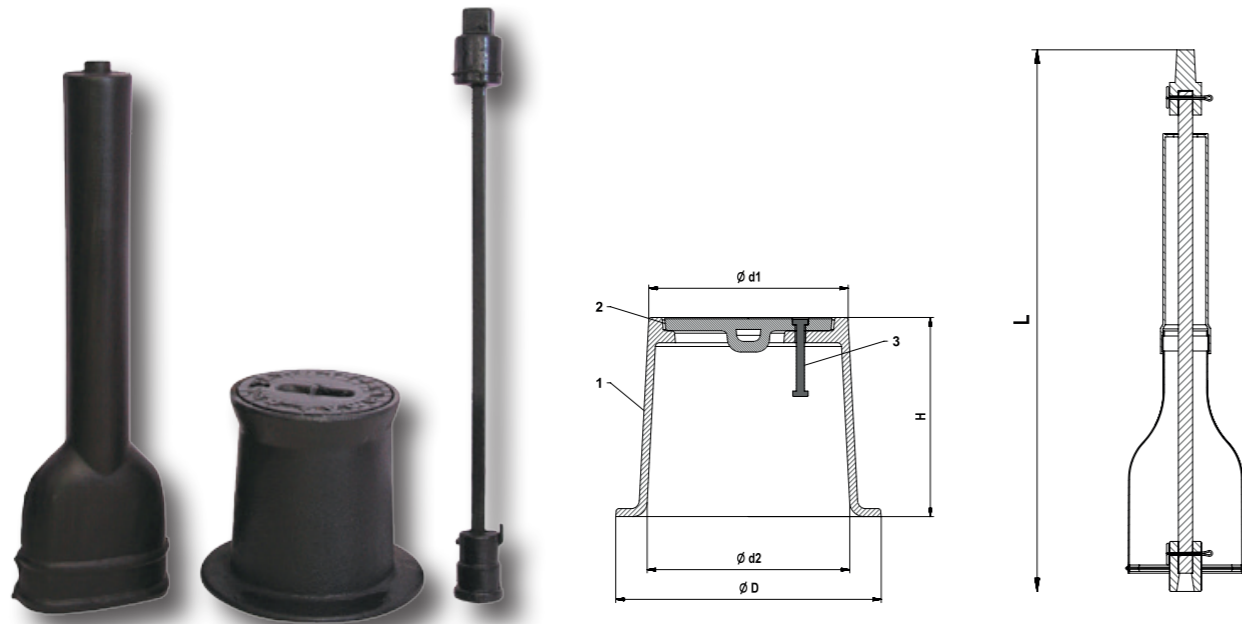
There are rigid and telescopic types in the bowl spindle. Thanks to the extension and shortening of the telescopic bowl sets in the underground pipelines, it eliminates the assembly problems caused by the measurement error.

The bowl is made of ductile iron and is suitable for every valve.

There is no on/off switch in the Bukhakle set. Please order together with the set.

There is an adapter piece in the bungler sets made with rods. The chuck shaft and adapter are fixed by passing the pin through the hole in the valve control shaft. In this way, the dish does not come off during opening and closing.

TİP / TYPE	D1	D2	D	H	L
TİP 1 (DN40-600)	150	150	200	150	600



PARÇA ADI (Part Name)	MALZEME (Material)
Kazan/ Boiler	GGG 40
Boru Kapak /Pipe Cover	GGG 40
Civata / Bolt	8.8 Galvaniz
Pul M8	8.8 Galvaniz
Somun/ Nut	8.8 Galvaniz

Hydrant Heel



Ölçüler
(Size) DN
DN 80
DN 100

D TYPE AND A TYPE IRRIGATION HYDRANT

D type irrigation hydrants are used to transmit the necessary water to large agricultural lands by connecting to irrigation networks.

The hydrant consists of the lower and upper bodies. Opening and closing operation is carried out with mechanical closing elements such as flywheel, shaft and flap.

There is a "flow limiter" at the outlets of these valves, which prevents the flow drawn from the hydrant from exceeding the nominal (design) value.

The special closing mechanism in Type **A Irrigation Hydrants** provides a proportional decrease/increase in flow rate when the flywheel is rotated and prevents shocks in the system due to hydrant closure.

Hydrants are offered with an optional anti-frost pipe for connection to deep water networks and an optional automatic drain valve that automatically drains the remaining water after the hydrant is turned off and prevents water freezing from damaging the product.

The nozzle used in the hydrant connection keeps the pressure and flow values constant thanks to the pressure regulator and flow limiter inside.



Ölçüler (Size) DN	
DN	100
DN	150



Ölçüler (Size) DN
100 DN

F5 ELASTOMER GATE VALVE

ÖLÇÜ(SİZE) DN mm

DN 50

DN 65

DN 80

DN 100

DN 125

DN 150

DN 200

DN 250

DN 300

DN 350

DN 400

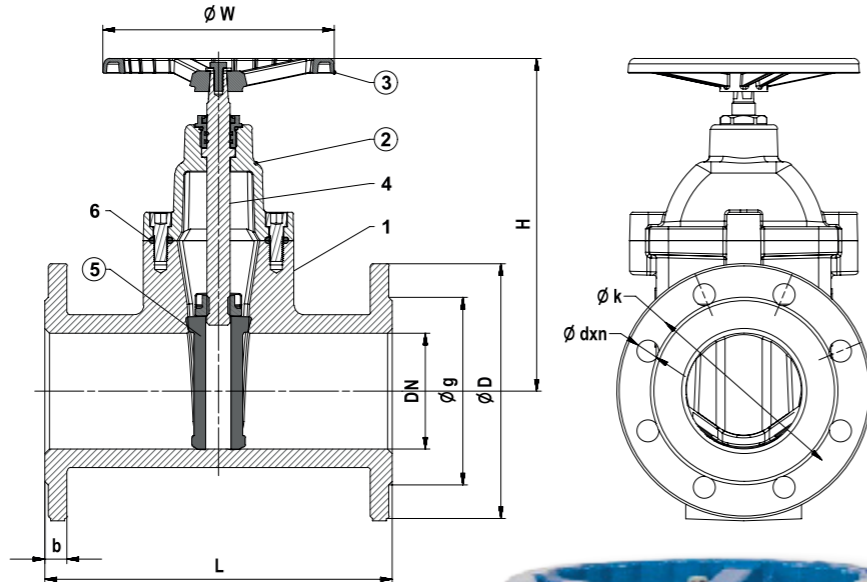
DN 450

DN 500

DN 600

DN 700

RATED DIAMETER/SIZE DN50 - DN700
RATED PRESSURE/ PRESSURE PN10-PN16-PN40
CONNECTIONS/ENDS DIN2501(FLANGE)
TEMPERATURE/TEMPETURE -10 °C / +60 °C



These are the valves that have a curtain-shaped closing mechanism by means of a slider and are connected to the pipelines to stop the fluid in the pipe. Thanks to the screw shaft mounted inside the body, the valve is opened and closed by moving the slider up and down. Sealing is provided by a rubber-coated slide. They are used in non-abrasive liquids and liquid fuel installations. It is not used for control purposes and flow adjustment.

PARÇA ADI (Part Name)	MALZEME (Material)	PARÇA ADI (Part Name)	MALZEME (Material)
Gövde/ Body	GGG 40	Civata / Bolt	8.8
Sürgü/Wedge	GGG 40	Kapak / Bonnet	GGG 40
Hareket Som / Yoke Nut	cuzn40pB2	Oring/ O-ring	EPDM
Mil / Axle	x30crm13	Oring /O- ring	EPDM
Conta / Gasket	EPDM	Üst Baskı / Underprint	GGG 40

F4 ELASTOMER GATE VALVE

ÖLÇÜ(SİZE) DN mm

DN 50

DN 65

DN 80

DN 100

DN 125

DN 150

DN 200

DN 250

DN 300

DN 350

DN 400

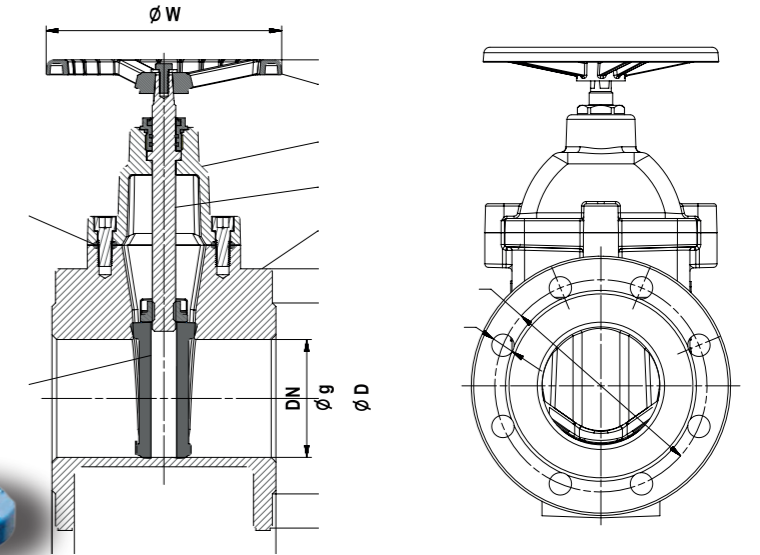
DN 450

DN 500

DN 600

DN 700

RATED DIAMETER/SIZE DN50 - DN700
RATED PRESSURE/ PRESSURE PN10-PN16-
PN40
CONNECTIONS/ENDS DIN2501(FLANGE)
TEMPERATURE/TEMPETURE -10 °C / +60 °C



PARÇA ADI (Part Name)	MALZEME (Material)	PARÇA ADI (Part Name)	MALZEME (Material)
Gövde/ Body	GGG 40	Civata / Bolt	8.8
Sürgü/Wedge	GGG 40	Kapak / Bonnet	GGG 40
Hareket Som / Yoke Nut	cuzn40pB2	Oring/ O-ring	EPDM
Mil / Axle	x30crm13	Oring /O- ring	EPDM
Conta / Gasket	EPDM	Üst Baskı / Underprint	GGG 40

DISASSEMBLY PART

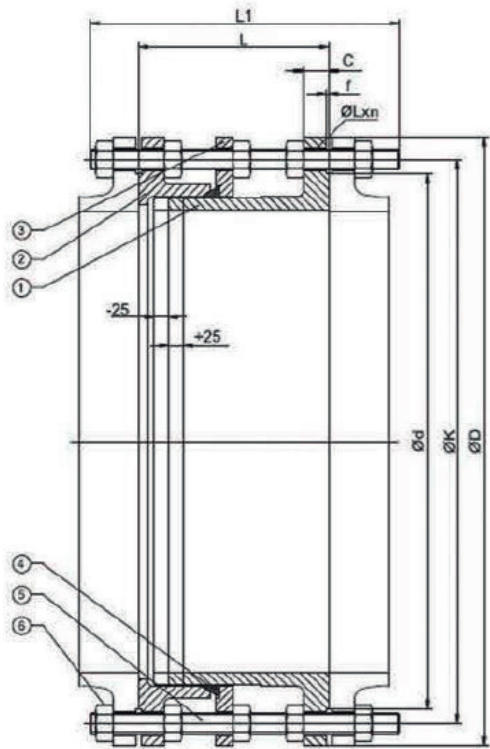
Ölçüler (Size) DN	Ölçüler (Size) DN	Ölçüler (Size) DN	Ölçüler (Size) DN	Ölçüler (Size) DN
DN 50	DN 200	DN 600	DN1200	DN1900
DN 65	DN 250	DN 700	DN1300	DN 2000
DN 80	DN 300	DN 800	DN 1400	DN2200
DN100	DN 350	DN 900	DN1500	
DN125	DN 400	DN1000	DN1600	
DN150	DN 500	DN 1100	DN1800	

PN10-PN16

PARÇA ADI (Part Name)	MALZEME (Material)	PARÇA ADI (Part Name)	MALZEME (Material)
Uzun Parça / Long Part	Sfero Döküm En-GJS 400-15	Saplama	Çelik -Galvanizli
Kısa Parça / Short Part	Sfero Döküm En-GJS 400-15	Sızdırmazlık Ringi	EPDM
Baskı Flaş / Print Flanges	Çelik S235JR	Somun	Çelik -Galvanizli

It is used to facilitate the assembly and disassembly of flanged valves in all piping systems.

It provides ease of disassembly by taking on the axial forces on the valve in the pipeline.



SWING CHECK VALVE

SIZE DN50 - DN250
 PRESSURE PN10-PN16-PN40
 CONNECTIONS DIN2501(FLANŞ)
 TEMPERATURE -10 °C / +120 °C
 (DIN2401/2)

PARÇA ADI (Part Name)	MALZEME (Material)	PARÇA ADI (Part Name)	MALZEME (Material)
Gövde/ Body	GGG 40	Klape Kolu/ Disc Handle	GGG 40
Kapak/Cover	GGG 40	Mil / Axle	X20 CR 13
Gövde Burcu / Body Bush	MS 58	Conta / Gasket	EPDM
Klape	GGG 40	Civata / Bolt	6.8(GAL.Zn.S.)

SIZE:

ANMA ÇAPDI DN	DN 50	DN 65	DN 80	DN100	DN125	DN 150	DN 200
D	165	185	200	220	250	285	340
K	125	145	160	180	210	240	295
L	200	240	260	300	350	400	500
H	230	245	60	272	322	340	460
B	145	155	170	195	222	266	310
Weight	13	20	24	33	50	66	112

They are products used to prevent flow in the opposite direction, where the liquid is allowed to flow in the direction of the flow of the pipeline. In pump facilities, it prevents the liquid from flowing back in case the pump fails. The flap is closed by its own weight or by the force of the opposite party. Check valves pay attention to the flow direction of the liquid assembly is done.



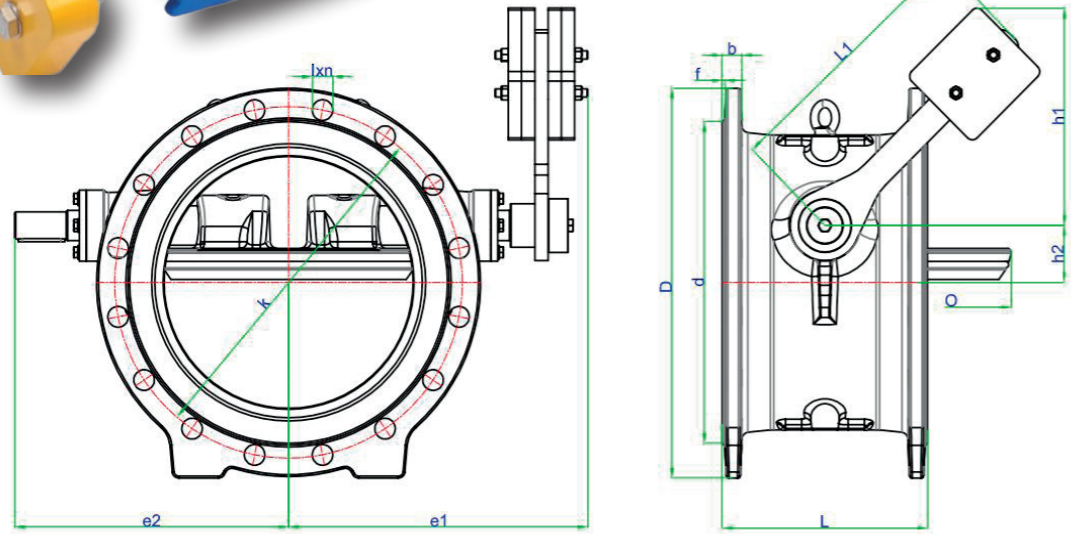
TILTING CHECK VALVE

TILTING CHECK VALVE PN10- PN16-
PN25
DN200-1200
SFERO CASTING

It is generally used in pumped lines where the backflow is desired to be prevented. Drinking water, wastewater, industrial facilities are among the common usage areas. It is recommended for larger diameter lines. Ideal for DN200-1200.

Tilting Check Valve is one of the check valve types, which consists of a disc-type flap in a cylindrical body, a shaft that holds and carries the flap in the valve, a weight arm and a weight, and takes up less space compared to swing check valves.

When the water flow starts, the check valve flap is pushed by the pushing force of the water and continues its flow towards the flooding direction. When the water flow stops, the valve starts to close. The check valve is closed with the help of the weight attached to the damper shaft and the pushing force of the returning water. It prevents the return of water to the flood or flow line.

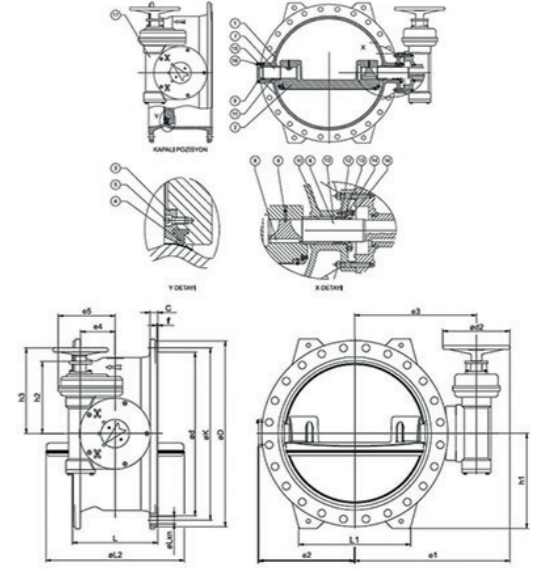


PARÇA ADI (Part Name)	MALZEME (Material)	PARÇA ADI (Part Name)	MALZEME (Material)
Gövde/ Body	GGG 50	Kapak / Lid	Çelik 1.0254
Disk	GGG 50	Mil / Shaft	Çelik Paslanmaz 1.4021
Conta Ringi / Gaskets Ring	EPDM	Mil Yatağı	Delrin
O-Ring	NBR / EPDM	Pul / Stamp	Çelik Paslanmaz 1.4021
Baskı Ringi / Press Ring	Çelik Paslanmaz	Kol / Arm	Çelik 1.0254
Anahtar /Key	Çelik	Taşıma Kulpu/Carrying Handle	Çelik

HAND CONTROLLED BUTTERFLY VALVE

SIZE : DIN 3202 F4
PN10-16
DN100 - DN2400

A butterfly valve is a type of flow control device used to regulate the flow of liquids, gases or other substances through a pipe or duct. It consists of a circular disk mounted on a shaft and inserted into a pipe or channel. The disc is attached to a lever or lever used to open and close the valve by turning the disc. When the valve is opened, the disc is rotated parallel to the flow of the material, allowing the material to pass through the pipe or channel. When the valve is closed, the disc is rotated perpendicular to the flow, blocking the passage of the substance.



PARÇA ADI (Part Name)	MALZEME (Material)	PARÇA ADI (Part Name)	MALZEME (Material)
Gövde/ Body	GGG 40	Serbest Mili	X20CR13
Klape	GX6CrNi189	Kama	Çelik Ck45
Baskı Çemberi /Print Ring	Çelik S235JR	Setskur	Paslanmaz Çelik A2
Sızdırmazlık Ringi / Tightness Rings	EPDM	Yatak Burcu	Bronz
İmbus Civata / Imbus Bolt	Paslanmaz Çelik A2	O Ring	EPDM
Tahrik Mili	X20CR13		

LUG TYPE BUTTERFLY VALVE

ÖLÇÜ(SIZE) DN mm

DN 40

DN 50

DN 65

DN 80

DN 100

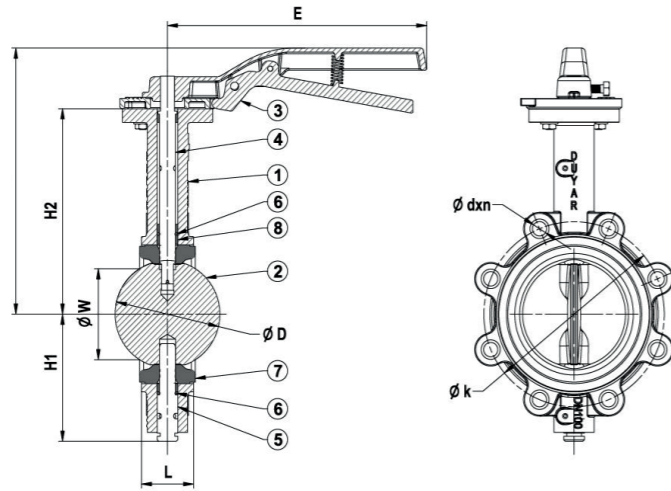
DN 125

DN 150

DN 200

DN 250

DN 300



PARÇA ADI (Part Name)	MALZEME (Material)	PARÇA ADI (Part Name)	MALZEME (Material)
Gövde/ Body	GGG 40	Alt Mil/ Ground Shaft	X20CR13
Klape	GX6CrNi189	O Ring	EPDM
Kol/ Leg	GGG40	Üst Mil /Under Shaft	X20CR13
Conta / Gasket	EPDM- NBR		

WAFER TYPE BUTTERFLY VALVE

In butterfly valves, the closing element is a rotating disc located on the vertical axis. When assembled, it rotates around its axis, forming a disc that opens or closes the full pipe section. Sealing is provided between the metal flap and the elastic or plastic sealing elements covering the inside of the body. The sealing element also acts as a gasket in the flange between the valve and the pipe.

The advantages of such valves are; low pressure losses, easy opening and closing, good sealing, light weight and small footprint. Wafer Type Butterfly Valves are designed to be mounted between flanges in DIN standards and to be operated by lever. Valve rubber and disc are available in different materials for suitable media.

Ölçüler
(Size) DN (PN10-PN16)

DN 40

DN 65

DN100

DN 150

DN 250

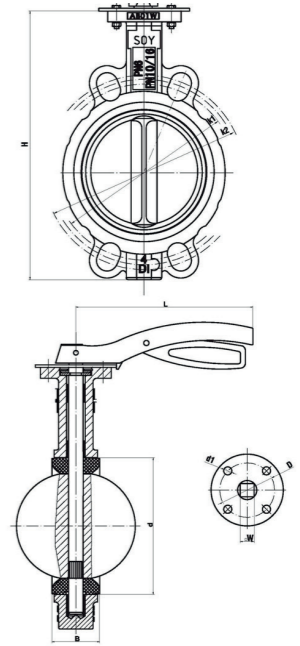
DN 50

DN 80

DN125

DN 200

DN 300



PARÇA ADI (Part Name)	MALZEME (Material)	PARÇA ADI (Part Name)	MALZEME (Material)
Gövde/ Body	GGG 40	Alt Mil/ Ground Shaft	X20CR13
Klape	GX6CrNi189	O Ring	EPDM
Kol/ Leg	GGG 40	Üst Mil /Under Shaft	X20CR13
Conta / Gasket	EPDM- NBR		

ÖLÇÜ(SIZE) DN mm

DN 50

DN 65

DN 80

DN 100

DN 125

DN 150

DN 200

DN 250

DN 300

DOUBLE Spherical Suction Cup

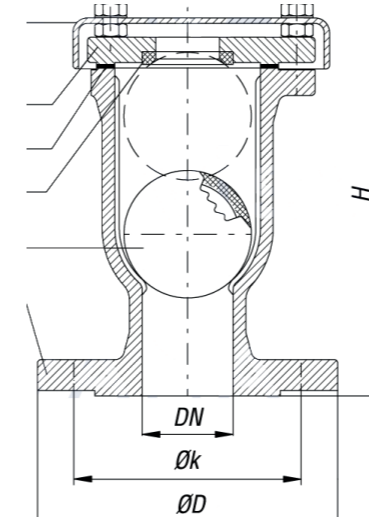
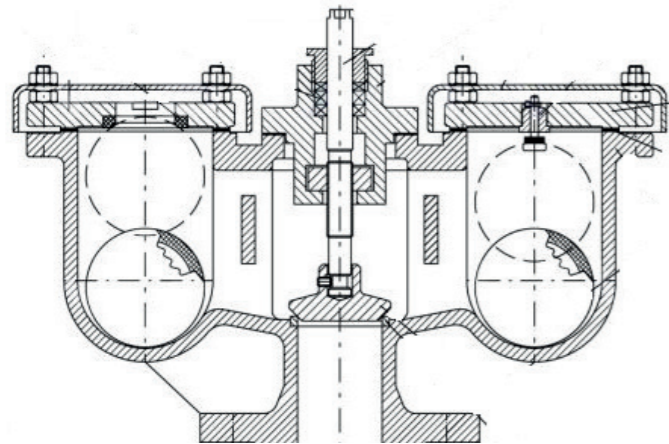
PN16-PN25

PARÇA ADI (Part Name)	MALZEME (Material)	PARÇA ADI (Part Name)	MALZEME (Material)
Gövde/ Body	GGG50	Orta Kapak/ Grande Lid	GGG50
Gövde Burcu / Body Bush	Ms 58 Bronz	Conta / Gasket	EPDM
Küre / Sphere	St 37 + EPDM	Sibob /Valvule	Ms 58
Klapa/Flape	GGG50		
Mil / Shaft	ASI 420		

Suction cups; expels all the air in the pipelines. Suction cups make the system work more efficiently.

Automatically working non-impact dynamic suction cup is designed as small volume and low weight. The large floater ensures that the large air mass is evacuated during the filling of the pipeline.

It provides shock-free closing with its two-stage closing design. It has a long service life against corrosion due to its high discharge capacity and stainless steel internal parts.



Single Spherical Suction Cup

PN16 - PN25

ÖLÇÜ(SIZE) DN mm

DN 50

DN 65

DN 80

DN 100

DN 125

DN 150

DN 200

DN 250

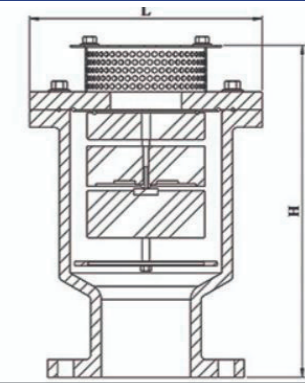
DN 300



PARÇA ADI (Part Name)	MALZEME (Material)
Gövde/ Body	GGG50
Küre / Sphere	ST 37 + Perbunan
Kapak/ Lid	GGG50
Conta/ Gasket	EPDM
Toz Kapağı/Dust Cover	GGG50

- During the filling of the pipeline with fluid, large amounts of penetrating into the pipe air evacuation,
- During the discharge of the fluid inside the pipeline, a large amount of evacuation of incoming air
- Evacuation of air bubbles coming with the fluid in dynamic working conditions
- Single-spherical-kinetic type, single-spherical-dynamic type, double orifice combined according to usage areas
- double type and self valve availability of spherical suction cups
- Provides protection against locking with a high amount of air output.

SHOCK-FREE DYNAMIC SUCTION CUP



Ölçüler
(Size) DN (PN10-PN16-PN25-PN40)

DN 50	DN 100	DN 150	DN 300
DN 65	DN 125	DN 200	DN 350
DN 80	DN 150	DN 250	DN 400

RISING SHAFT GATE VALVE

Ölçüler
(Size) DN (PN10-PN16)

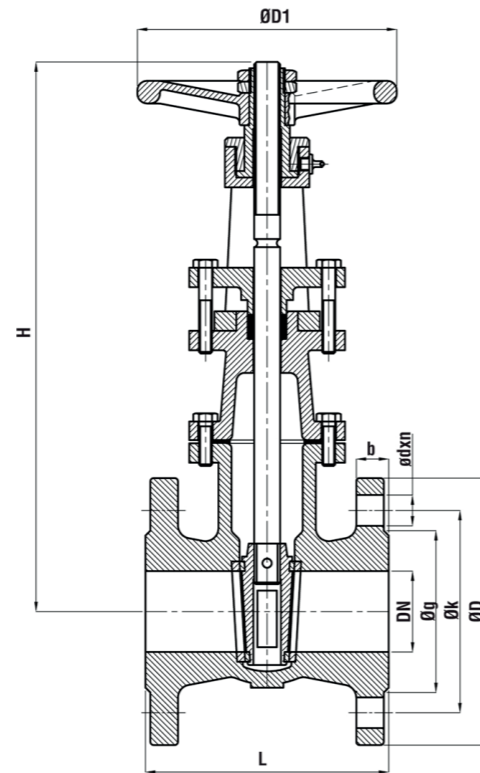
DN 40	DN 65	DN 100	DN 150	DN 300
DN 50	DN 80	DN 125	DN 200	

In fire systems developed for use as a regional control and shut-off valve, it was developed to be used as a control and shut-off valve in pipelines buried under the ground in the outdoor area despite the risk of freezing, due to the necessity of the location of the valves used in fire to be visible and traceable; It is the equipment where you can observe the on-off and valve position information with the switch of this post indicator, which is recommended to be used with the post indicator called bucakle instead of the flywheel on the valve. It is suitable for indoor and outdoor use.

Disadvantages compared to other control and shut-off valves; It takes up a lot of space and is not economical.

Advantages; It will ensure that the pressure loss is lower than the valves used for other control and cut-off purposes and that your structure is still protected against fire during a possible maintenance or repair in the outside area.

PARÇA ADI (Part Name)	MALZEME (Material)	PARÇA ADI (Part Name)	MALZEME (Material)
Gövde / Body	GGG 50	Conta/ Gasket	NBR
Sit	Bronze	Kapak / Lid	GGG 50
Sürgü	GGG 50	Üst Kapak / Under Lid	GGG 50
Mil/ Shaft	Paslanmaz Çelik	Hendil	GGG 40



FULL BORE BALL VALVE

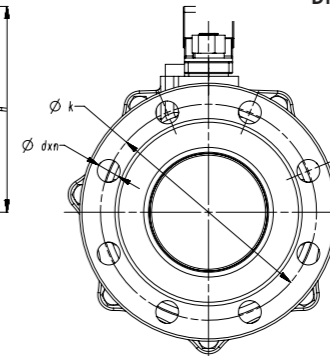
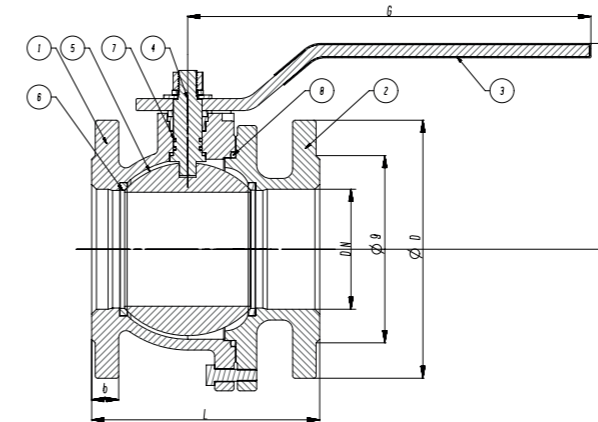
NEW PRODUCT ...

Valves are important control elements that provide on-off and flow control. Ball valves have the least pressure loss due to their fluid flow pattern. Applications: Used in hot water, cold water and condensate lines.

PARÇA ADI (Part Name)	MALZEME (Material)
Gövde/ Body	GGG50
Flanş/ Flange	GGG 50
Kol /	ST37-Çelik
Mil/	X20Cr13 Paslanmaz
Küre/	Paslanmaz

Ölçüler
(Size) DN

DN 40	DN 100
DN 50	DN 125
DN 65	DN 150
DN 80	DN 200



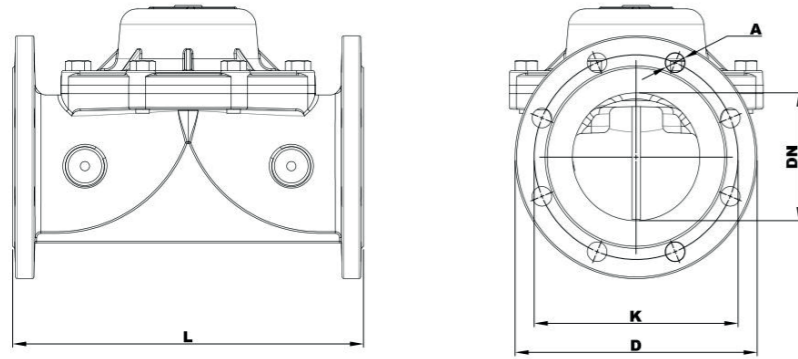
PRESSURE REDUCING CONTROL VALVE

Pressure Sustaining and Pressure Reducing Control Valve

Pressure stabilization and pressure reducing control valve are control valves that provide adjustment of inlet and outlet pressure in systems with down slope. By regulating excessive flow and high pressure in downhill systems, it ensures that the system operates at normal values. It keeps the outlet pressure constant without being affected by pressure fluctuations.

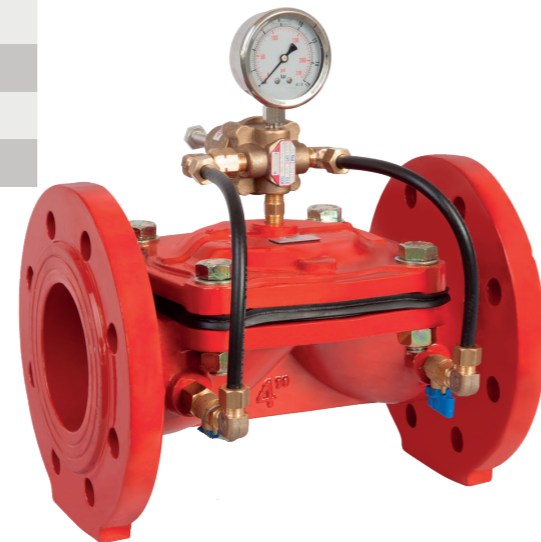
Technical Specifications:

- It works with mains pressure and does not need extra energy.
- Easy and precise adjustment to the desired pressure
- Ability to work without being affected by pressure and flow changes in the system
- Easy maintenance



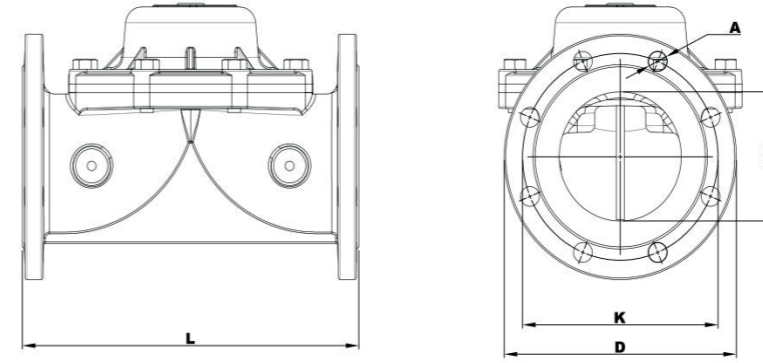
ÖLÇÜ(SİZE) DN mm	L	D	K	A
DN 40	165	150	110	19
DN 50	205	165	125	19
DN 65	205	185	145	19
DN 80	290	200	160	19
DN 100	300	220	180	19
DN 125	330	250	210	19
DN 150	415	285	240	23
DN 200	475	340	295	23
DN 250	475	405	355	28
DN 300	525	460	410	28

PARÇA ADI (Part Name)	MALZEME (Material)
Gövde / Body	GGG 50
Diyafam / Diaphragm	Kord Bez Takviyeli Doğal Kauçuk
Kapak / Lid	GGG 50
Diyafam Baskı Halkası	Polyamid
Yay / Arrow	SST 302
Bağlantı Tipi	Flanşlı

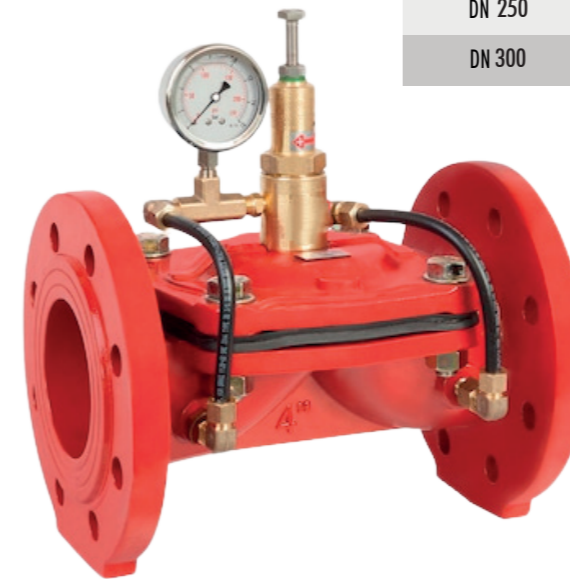


PRESSURE RELIEF CONTROL VALVE

Quick pressure relief control valves; When the pressure in the system exceeds a certain limit value, it is used to relieve the system by opening the excess pressure. When the system pressure drops to the limit value set by the valve, the valve closes again. The pressure value of relief valves is adjusted by the pilot valve used on it. The set value of the pilot valve is not affected by the back pressure at the outlet.



ÖLÇÜ(SİZE) DN mm	L	D	K	A
DN 40	165	150	110	19
DN 50	205	165	125	19
DN 65	205	185	145	19
DN 80	290	200	160	19
DN 100	300	220	180	19
DN 125	330	250	210	19
DN 150	415	285	240	23
DN 200	475	340	295	23
DN 250	475	405	355	28
DN 300	525	460	410	28



PARÇA ADI (Part Name)	MALZEME (Material)
Gövde / Body	GGG 50
Diyafam / Diaphragm	Kord Bez Takviyeli Doğal Kauçuk
Kapak / Lid	GGG 50
Diyafam Baskı Halkası	Polyamid
Yay / Arrow	SST 302
Bağlantı Tipi	Flanşlı

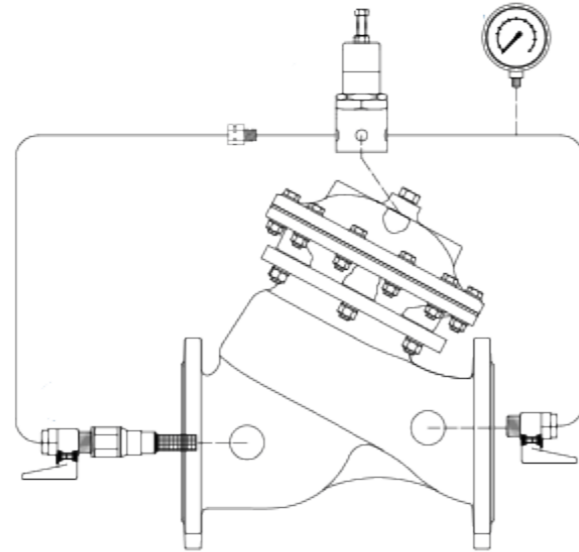
Y TYPE PRESSURE REDUCER

Ölçüler (Size) DN (PN16)			
DN 40	DN 80	DN 150	DN 300
DN 50	DN 100	DN 200	DN 400
DN 65	DN 125	DN 250	

"PR" model pressure reducing hydraulic control valves are hydraulic control valves that reduce the high inlet pressure value to a lower pressure value, thanks to the pressure reducing pilot valves mounted on it. The pressure reducing control valve constantly controls the desired output pressure value without being affected by the flow rate and inlet pressure values and keeps it constant. When there is no flow in the system, the valve automatically closes itself completely sealed. When the valve inlet pressure value in the system drops below the set outlet pressure value, the valve opens itself fully. The valve can be used in horizontal or vertical positions in the system.

Valve; It will be a hydraulic control valve with diaphragm actuator working with line pressure and flap closing. With the double chamber diaphragm actuator, it will provide fast and shock-free on/off and will prevent clogging by showing less sensitivity to solid foreign substances in the fluid.

Valve diameter should be the same as the main line or one diameter smaller.



Y TYPE STRAINER

PARÇA ADI (Part Name)	MALZEME (Material)
Gövde/ Body	EN-GJS500 SFERO DÖKÜM
Kapak Contası / Lid Gasket	KLINGRİT
Flitre	1.4301 Paslanmaz çelik
Kapak/ Lid	ST 37 Çelik EN-GJS-500 SFERO DÖKÜM
Pul/Stamp	DIN 125
Civata/ Bolt	DIN 993
Segman	DIN 472

The filtration is carried out with an inner mesh covered filtration element, the size of which should be determined by the size of the smallest particle to be removed. Recommended for installation at the inlet of control valves.

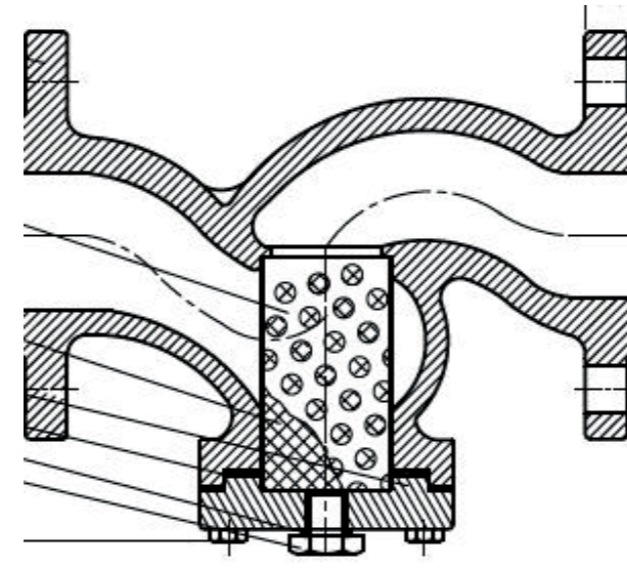
The double filter structure absorbs the water hammer effects and prevents the filter from being damaged.

By removing the cover placed on the body, detailed cleaning can be done or the filter can be changed. Easy disassembly and removal of the cover is provided for maintenance.

Hole diameters in filters are determined to have a minimal effect on pressure loss and flow rate.

Depending on demand, the hole diameters of the filters can be produced in different sizes.

Ölçüler (Size) DN			
DN 15	DN 40	DN 100	DN 250
DN 20	DN 50	DN 125	DN 300
DN 25	DN 65	DN 150	DN 350
DN 32	DN 80	DN 200	DN 400



Nominal Diameters : DN 50 65 80 100 125 150 200 250 300 350 400

450, 500, 600, 700, 800, 900, 1000, 1100, 1200, 1300, 1400, 1500,

1600, 1800, 2000

RATED PRESSURES : PN10 - PN 16 - PN 25 - PN 40

Flange Connections : En 1092 - 2

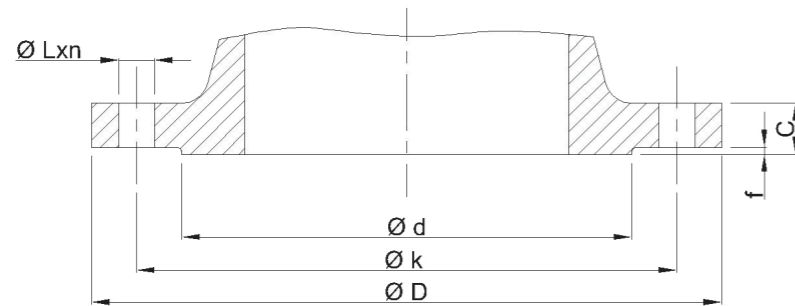
Casting Standard : En 1563:2011(En)

FLANGE ADAPTER



DELİK ÇAPI (mm)	19	23	28	31	34	37	40	43	49	56	62	70
ÇİVATA ÇAPI DN	M16	M18	M22	M24	M27	M30	M33	M36	M42	M50	M56	M64

DN	F	PN 10					PN 16					PN 25					PN 40				
		ØD	Øk	Ød	C	ØLxn	ØD	Øk	Ød	C	ØLxn	ØD	Øk	Ød	C	ØLxn	ØD	Øk	Ød	C	ØLxn
50	3	165	125	99	19	19x4	165	125	99	19	19x4	165	125	99	19	19x4	165	125	99	19	19x4
65	3	185	145	118	19	19x4	185	145	118	19	19x4	185	145	118	19	19x4	185	145	118	19	19x4
80	3	200	160	132	19	19x8	200	160	132	19	19x8	200	160	132	19	19x4	200	160	132	19	19x4
100	3	220	180	156	19	19x8	220	180	156	19	19x8	235	190	156	19	23x8	235	190	156	19	19x8
125	3	250	210	184	19	19x8	250	210	184	19	19x8	270	220	184	19	28x8	270	220	184	23,5	28x8
150	3	285	240	211	19	23x8	285	240	211	19	23x8	300	250	211	20	28x8	300	250	211	26	28x8
200	3	340	295	266	20	23x8	340	295	266	20	23x12	360	310	274	22	28x12	375	320	284	30	31x12
250	3	405	350	319	22	23x12	405	355	319	22	23x12	450	370	330	34,5	31x12	450	385	345	34,5	34x12
300	4	460	400	370	24,5	23x12	460	410	370	24,5	28x12	485	430	389	27,5	31x16	515	450	409	39,5	34x16
350	4	505	460	429	24,5	23x16	520	470	429	26,5	28x16	555	490	448	30	34x16	580	510	465	44	37x16
400	4	565	515	480	24,5	28x16	580	525	480	28	31x16	620	550	503	32	37x16	660	585	535	48	41x16
450	4	640	565	530	26,5	28x20	640	585	548	30	31x20	670	600	548	34,5	37x20	685	610	560	49	41x20
500	4	670	620	582	26,5	28x20	715	650	609	31,5	34x20	730	660	609	36,5	37x20	755	670	615	52	44x20
600	5	780	725	682	30	31x20	840	770	720	36	37x20	845	770	720	42	41x20	890	795	735	58	50x20
700	5	895	840	794	32,5	31x24	910	840	794	39,5	37x24	960	875	820	46,5	44x24	995	900	840	64	48x24
800	5	1015	950	901	35	34x24	1025	950	901	43	41x24	1085	990	928	51	50x24	1140	1030	964		56x24
900	5	1115	1050	1001	37,5	34x28	1125	1050	1001	46,5	41x28	1185	1090	1028	55,5	50x28	1250	1140	1075		56x28
1000	5	1230	1160	1112	40	37x28	1255	1170	1112	50	44x28	1320	1210	1140	60	57x28	1360	1250	1185		
1100	5	1355	1270	1218	43	37x32	1355	1270	1218	53,5	44x32	1420	1310	1240	64,5	57x32					62x32
1200	5	1455	1380	1328	45	41x32	1485	1390	1328	57	50x32	1530	1420	1350	69	57x32	1575	1460	1385		
1300	5	1585	1490	1440	45	42x32	1585	1490	1432	59	48x32										62x36
1400	5	1675	1590	1530	46	44x36	1685	1590	1530	60	50x36	1755	1640	1560	74	62x36	1795	1680	1605		
1500	5	1820	1700	1640	49	44x36	1820	1710	1640	62,5	57x36										70x40
1600	5	1915	1820	1750	49	50x40	1930	1820	1750	65	57x40	1975	1860	1780	81	62x40	2025	1900	1815		
1800	5	2130	2020	1950	70	50x44	2130	2020	1950	70	57x44	2195	2070	1985	88	70x44					
2000	5	2345	2230	2150	75	50x48	2345	2230	2150	75	62x48	2425	2300	2210	95	70x48					

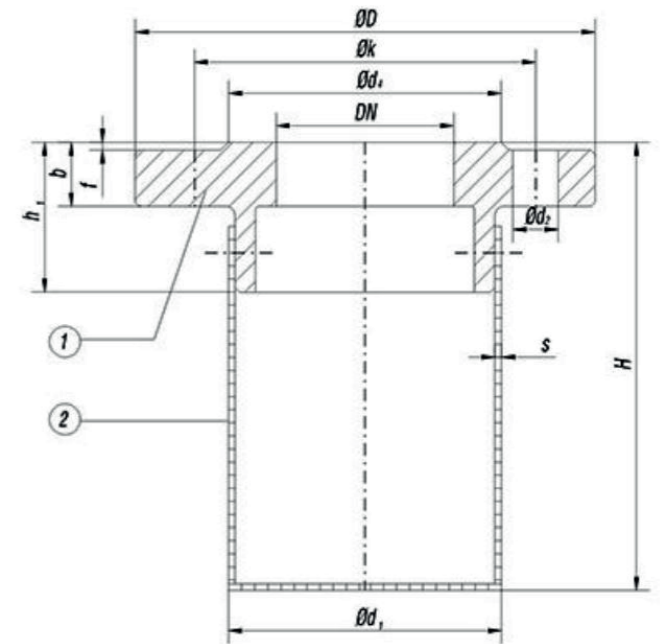
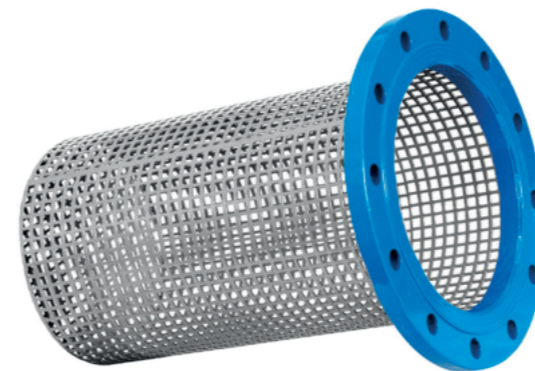


Operating Temperature: -10 +300°C (PN 10-16BAR)
Applications: Steam, Hot-Cold Water, Pressurized, Air

PARÇA ADI (Part Name)	MALZEME (Material)
Flans/ Flange	Pik Döküm
Filtre	Paslanmaz
Civata / Bolt	8.8 Çelik

ÖLÇÜ(SİZE) DN mm	L	H	b	s	D	K
50	100	130	18	1	165	125
65	120	160	20	1	185	145
80	140	180	20	1	200	160
100	170	195	22	1	220	180
125	200	250	22	1,5	250	210
150	230	285	24	1,5	285	240
200	288	385	24	2	340	295
250	354	460	24	2	405	355
300	395	530	26	2	460	410

Crepe-type strainers contain unwanted wood, rubble, stone, etc., which may enter the network. are coarse strainers used to hold coarse particles. Crepe type strainers are produced from a flange suitable for the desired working pressure and from stainless perforated sheet that can operate in harsh conditions.



Quality is Respect...



www.sunteknikvana.com
www.rcvvalve.com
